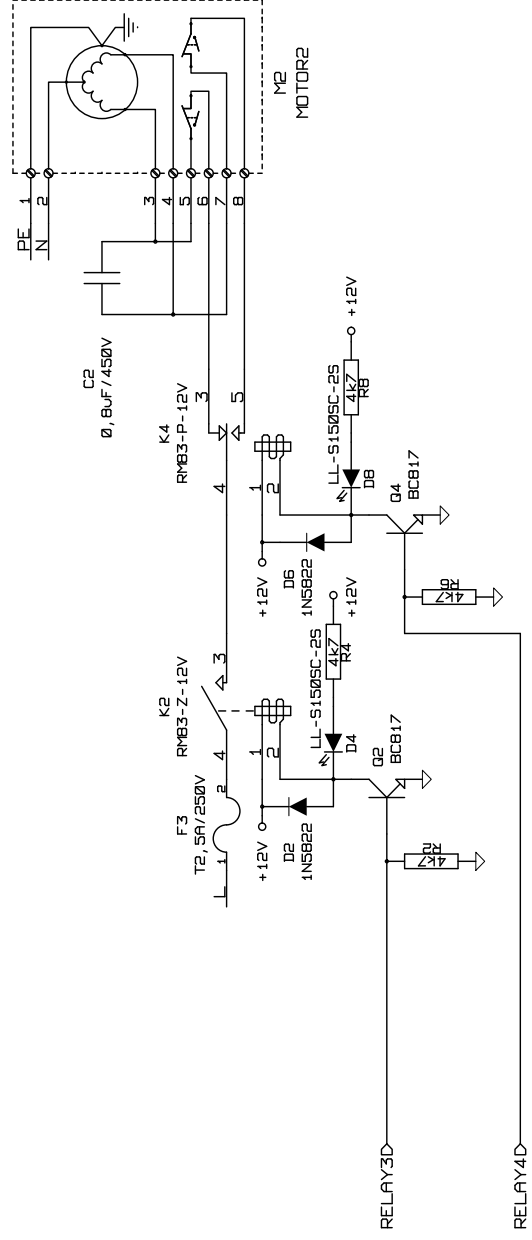
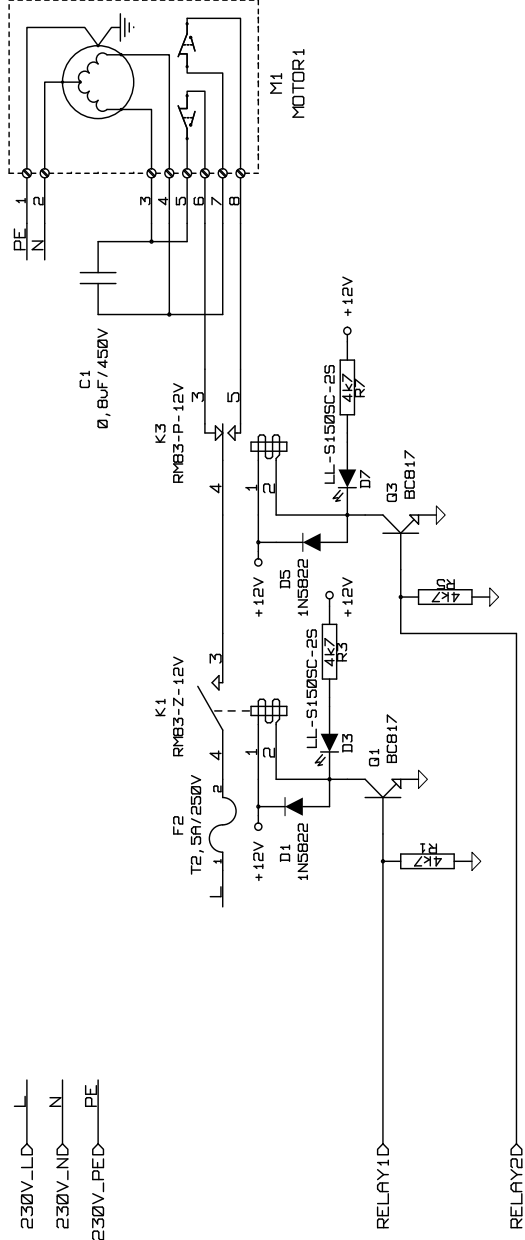


230V\_LD  
 230V\_ND  
 230V\_PED



K&K
Title: Dome Control Module - silniki
Size: A4   Date: 6 jun 2008
KiCad E.D.A.
Rev: 0.91
Sheet: 2/7